

## **WARNING!!**

The attached Gold Medal Manual is for reference only and is not intended for any other purpose. The information contained in these on line manuals is subject to change at any time. Improvements are always being made to Gold Medal equipment and this information may not be the latest available for your purposes. It is critical that you call Gold Medal Products technical service department at 1-800-543-0862 for any questions about machine operations, replacement parts, or any service questions. Neither Gold Medal nor Phil Erb Concessions represent that these on line manuals contain the most current information available for the product represented.

# Titan 6 Oz. Popper

## Popcorn Machine Instruction Manual

Model #2551









# **GOLD MEDAL**

**FUNFOOD EQUIPMENT & SUPPLIES**

Cincinnati, OH 45214-2089 USA.

# SAFETY PRECAUTIONS

	<p style="text-align: center;"><b>⚠ DANGER</b></p> <p>Machine <b>MUST</b> be properly grounded to prevent electrical shock to personnel. Failure to do so could result in serious injury, or death. Do <b>NOT</b> immerse the kettle, warmer, or any other part of this equipment in water. Always unplug the equipment before cleaning or servicing. Do not use excessive water when cleaning.</p>
	<p style="text-align: center;"><b>⚠ WARNING</b></p> <p>To avoid serious burns, do <b>NOT</b> touch the kettle while it is hot.</p>
	<p style="text-align: center;"><b>⚠ WARNING</b></p> <p><b>ALWAYS</b> wear safety glasses when servicing this equipment.</p>
	<p style="text-align: center;"><b>⚠ WARNING</b></p> <p>Any alterations to this equipment will void the warranty and may cause a dangerous situation. <b>NEVER</b> make alterations to the equipment. Make sure all machine switches are in the off position before plugging the equipment into the receptacle.</p>
	<p style="text-align: center;"><b>⚠ CAUTION</b></p> <p>This equipment is sold for commercial use only. This equipment is <b>NOT</b> to be used by the general public for home use. Do <b>NOT</b> allow direct contact with this equipment and the general public when used in food service locations. Only personnel that are trained and familiar with the equipment should operate the equipment. Carefully read all installation instructions before operating the equipment.</p>
	<p style="text-align: center;"><b>⚠ CAUTION</b></p> <p>This machine is <b>NOT</b> to be operated by minors. Minors are classified as anyone under the age of 18.</p>

## NOTE

The information, specifications and illustrations contained in this manual represent the latest data available at time of publication. Right is reserved to make changes as required at the discretion of Gold Medal Products Company without notice.

## INSTALLATION INSTRUCTIONS

### SETUP

Remove all packing material and tape before starting operation. Insert kettle in hanger arms insert plug into receptacle.

## OPERATING INSTRUCTIONS

### CONTROLS AND THEIR FUNCTIONS

There are three switches on the popper.

#### LIGHT AND WARMER SWITCH

Turns on the heat to the bottom corn pan and heat light.

#### KETTLE MOTOR SWITCH

Turns on the motor which drives kettle agitator shaft.

#### KETTLE HEAT SWITCH

Turns on the heat element

### AMOUNT OF POPCORN AND OIL

Your new popper is equipped with a six ounce [177 ml] corn measure cup. We recommend flavored and colored coconut oil. Popcorn popped in coconut oil stays fresh longer. Coconut oil does not leave black deposits in your kettle like other oils.

Corn charge - 6 oz. [177 ml]

Oil charge - 1.6 to 2.0 oz. [60 ml]


Flavacol - 1 tablespoon [8 cc]

### POPPING INSTRUCTIONS



1. Turn **KETTLE HEAT** and **KETTLE MOTOR** switch "ON".
2. Make test pop with 3 kernels of corn and 1 oz. [30 ml] of oil.
3. Pour pre-measured popcorn and oil pouch into kettle.
4. When corn has popped, dump kettle.
5. Repeat steps 3 and 4 for additional batches; always pop 3-5 batches for best popcorn.

## CARE AND CLEANING




	<p style="text-align: center;"><b>⚠ DANGER</b></p> <p>Unplug your machine before cleaning glass panel and case. Never immerse the kettle in water. This will ruin the electrical components and automatically void the guarantee.</p>
---	---

Each time you finish a series of poppings, wipe the outside of the kettle with a soft cloth to remove any oil drippage on the outside of the kettle. After you finish popping for the day, allow kettle to cool until it is not too hot to handle, but still warm. Place kettle in the dump position. With a cloth, wipe out the inside of the kettle, kettle lid, crossbar, outside and underneath of the kettle.

Cleaning the cabinet of your machine is easy. Wipe excess grease from the glass using a clean cloth. Wipe the outside of the machine also.

**NOTE:** Never use a glass or plastic cleaner that contains ammonia. It will crack the plastic on the machine.

## MAINTENANCE INSTRUCTIONS

	<p style="text-align: center;"><b>⚠ CAUTION</b></p> <p>THE FOLLOWING SECTIONS OF THIS MANUAL ARE INTENDED ONLY FOR QUALIFIED SERVICE PERSONNEL WHO ARE FAMILIAR WITH ELECTRICAL EQUIPMENT. THESE ARE NOT INTENDED FOR THE OPERATOR.</p>
	<p style="text-align: center;"><b>⚠ WARNING</b></p> <p>Adequate eye protection must be used when servicing this equipment to prevent the possibility of injury.</p>
	<p style="text-align: center;"><b>⚠ DANGER</b></p> <p>Do NOT immerse the kettle, warmer, or any other part of this equipment in water. Unplug your machine before servicing.</p>

### ACCESSORIES

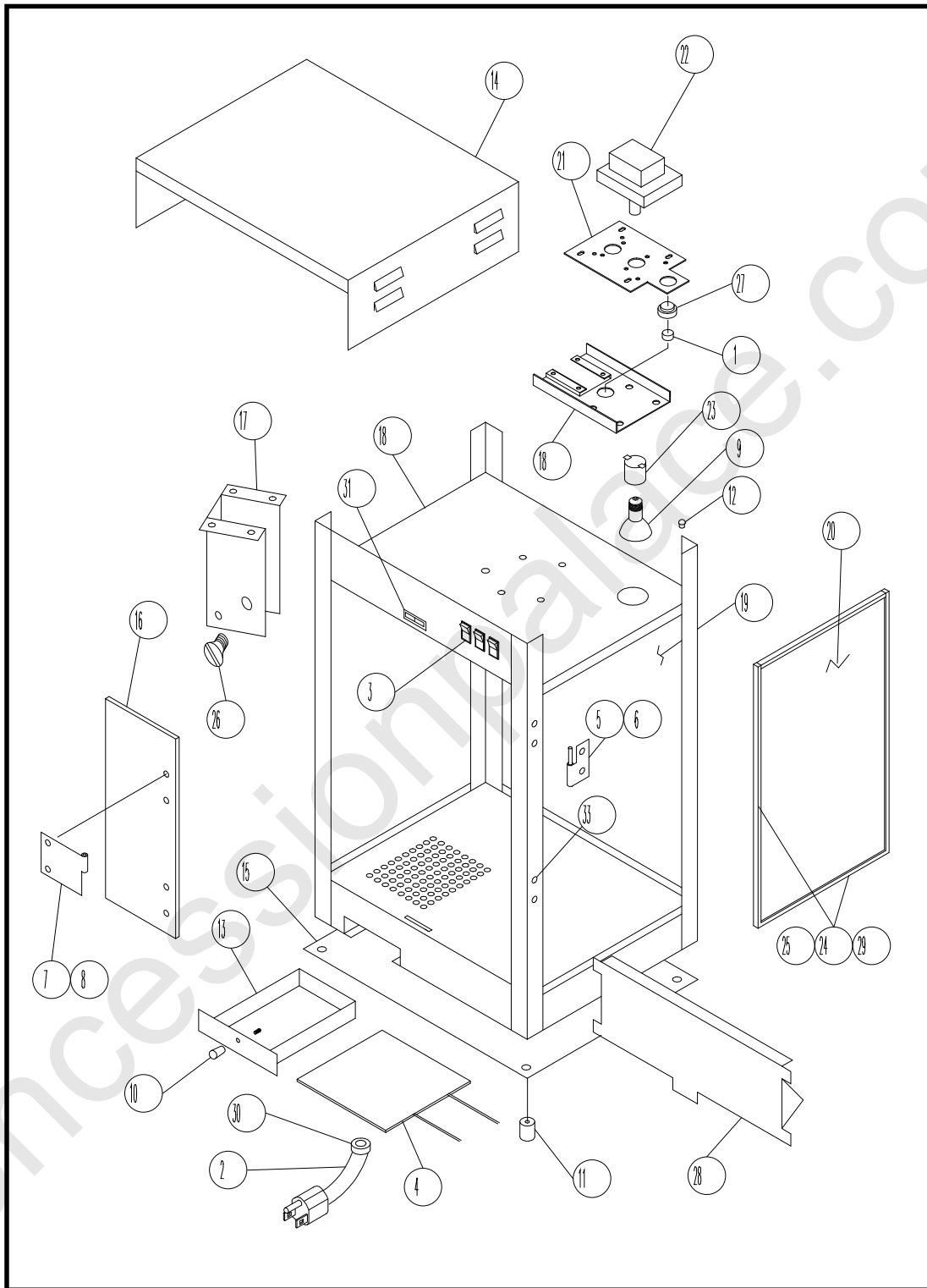
Description	Part Number
Shipping Carton	49833
Corn Measure Cup	49049
A-Scoop	47145
Flavacol Cup	47678

## ORDERING SPARE PARTS

1. Identify the desired part by checking it against the photos, illustrations, and/or the parts list.
2. When ordering, please include part number, part name, and quantity desired.
3. Please include your model name and machine serial number (located on the machine nameplate) with your order.
4. Address all parts orders to:

Parts Department  
Gold Medal Products Co.  
10700 Medallion Drive  
Cincinnati, Ohio 45241-4807  
or, place orders at:  
(513) 769-7676  
Fax: (513) 769-8500  
E-mail: goldme19@eos.net

# TITAN POPPER ASSEMBLY

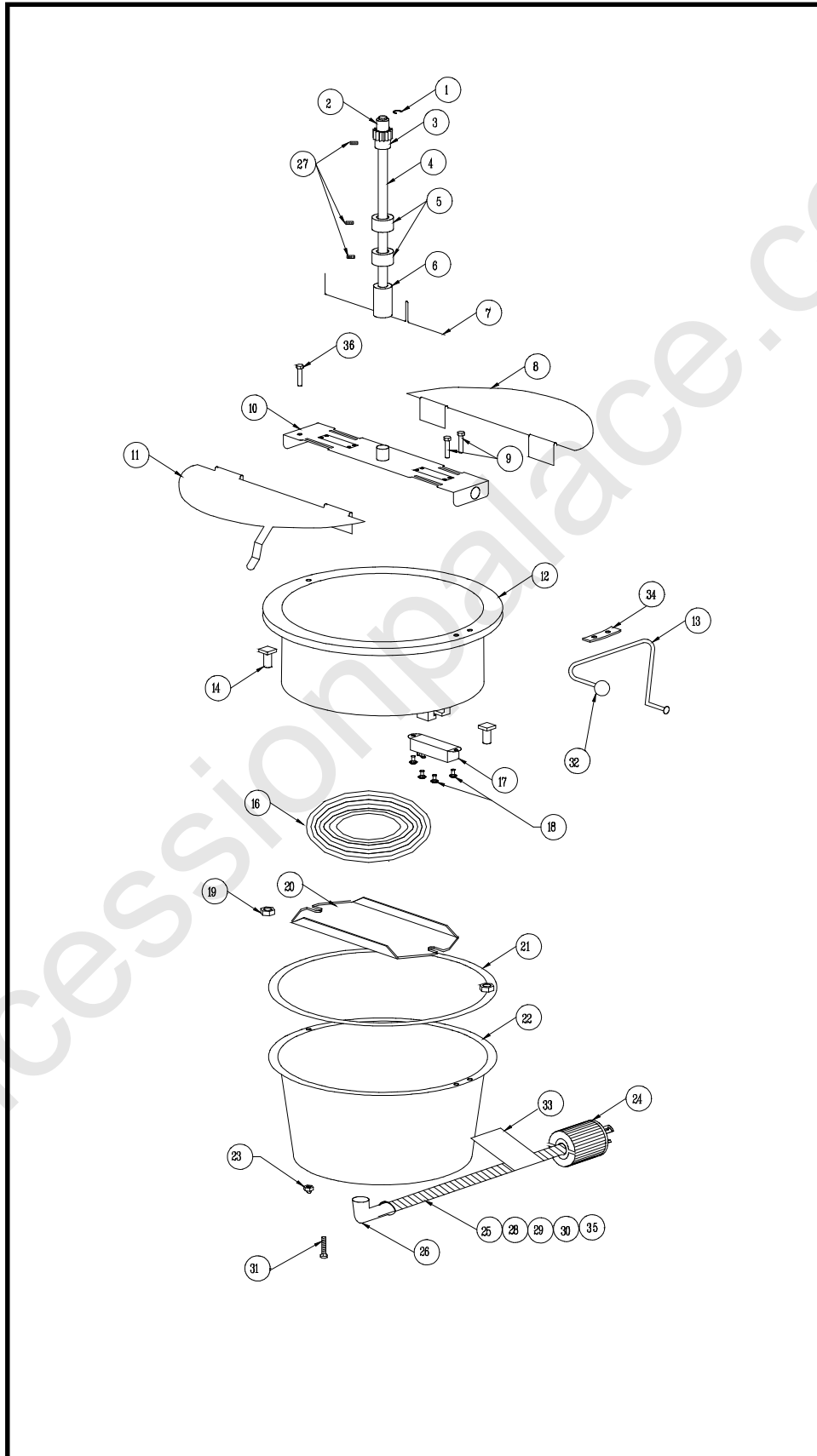




**PARTS LIST - CABINET ASSEMBLY**

<b>Item No.</b>	<b>Part No.</b>	<b>Description</b>	<b>Quantity</b>
1	12077	1/2" O.D. x 1/4" T Magnet	1
2	22038	Lead-in-Cord, 15 Amp	1
3	40324	Switch, SPST Rocker Type	3
4	40557	20 Watt Foil Heater	1
5	41349	Male Hinge, Short Left	1
6	41350	Male Hinge, Short Right	1
7	41351	Female Hinge, Long Right	1
8	41352	Female Hinge, Long Left	1
9	42947	50 Watt Flood Light, Coated	1
10	47120	Knob, Lid Lift	3
11	47155	Rubber Feet	4
12	47236	Bushing Snap	2
13	49100	Old Main Pan	1
14	49791	Dome	1
15	49810	Bottom Cover	1
16	49816	Door, Front	2
17	49009	Hanger Arm Rear	1
	49010	Hanger Arm Front	1
18	49789	Upper Plate Stiffener	1
19	49826	Front Glass	1
20	49827	Side Glass	2
21	49790	Motor Plate	1
22	47038	Drive Motor	1
23	49837	Lamp Holder	1
24	49844	Rigid Channel, 21-5/16"	6
25	49846	Rigid Channel, 10-7/32"	4
26	49847	1/4-20 x 1/2" Oval Head M/S	1
27	49851	Magnet Retainer	1
28	49856	Drop Panel Assembly	1
29	74172	Rigid Channel, 16 1/4"	2
30	76026	Strain Relief	1
31	87576	Magnetic Catch	2
32	49833	Shipping Carton	1
33	49848	Expansion Nut	8

### 6 Oz. KETTLE ASSEMBLY

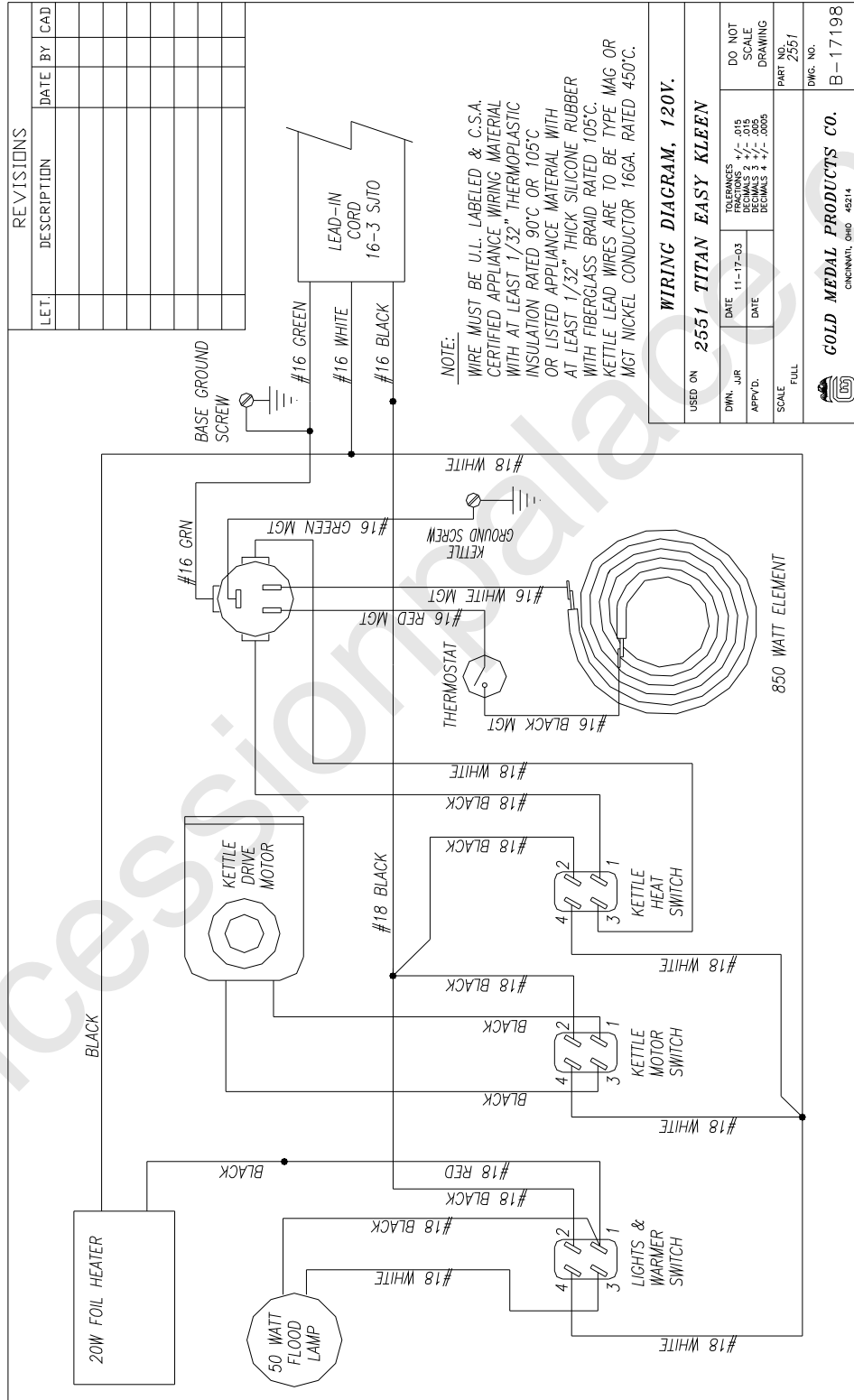


## PARTS LIST - 6 oz. KETTLE ASSEMBLY

Item No.	Part No.	Description
	49434	6 Oz. Kettle Complete
	49435	6 Oz. Lid & Agitator Assembly
	49433	6 Oz. Kettle Bottom Only
1	49701	External Snap Ring
2	47106	Needle Bearing
3	47060	Spur Gear
4	49437	Agitator Shaft Assembly
5	46649	Set Collar
6	49013	Agitator Weight
7	49011	Stir Rod
8	49016	Rear Kettle Lid
9	89125	Screw #8-32 x 3/4" Hex HD
10	49471	Crossbar Assembly
11	49017	Front Lid With Lifter
12	49432	Kettle Welded Assembly
13	49314	Dump Handle RH
14	49446	Bolt 5/16 -18 x 5/8 " Square HD
16	46652	Heat Element 850W
17	47676	Thermostat
18	49136	Screw #6-32 x 3/16 " Pan HD MS SS
19	49317	5/16 -18 Serrated Lock Nut
20	49532	Element Retainer Bracket
21	49368	Kettle Gasket
22	49431	Kettle Shell
23	47702	Acorn Nut #8-32
24	49329	Kettle Plug
25	77079-16	Flexible Conduit
26	46241	90 Degree Connector
27	41742	Set Screw #10-32 x 3/16" (3 Req)
28	49086	Red Kettle Wire Assembly
29	49087	White Kettle Wire Assembly
30	49159	Green Kettle Wire Assembly
31	49376	Screw #10-32 x 1"
32	47110	Knob, Dump Handle
33	49350	Caution Label
34	49362	Dump Handle Spacer
35	77080NM	Bushing, Conduit
36	47141	#8-32 x 1/2" Phil Pan M/S Zinc Plated
37	49328	Kettle Lead-In Cord Assembly *

\* Includes Item No. 24-26, 28-31, 33, and 35

# ELECTRICAL SCHEMATIC



## WARRANTY

WE WARRANT to the original purchaser the Gold Medal equipment sold by us to be free from defects in material or workmanship under normal use and service. Our obligation under this warranty shall be limited to the repair or replacement of any defective part for a period of six (6) months from the date of sale to the Original Purchaser with regard to labor and two (2) years with regard to parts and does not cover damage to the equipment caused by accident, alteration, improper use, voltage, abuse, or failure to follow instructions.

THIS WARRANTY IS IN LIEU OF ALL OTHER WARRANTIES EXPRESSED OR IMPLIED, AND OF ALL OTHER OBLIGATIONS OR LIABILITIES ON OUR PART, INCLUDING THE IMPLIED WARRANTY OF MERCHANTABILITY. THERE ARE NO WARRANTIES WHICH EXTEND BEYOND THE DESCRIPTION ON THE FACE HEREOF. We neither assume, nor authorize any other person to assume for us, any other obligation or liability in connection with the sale of said GOLD MEDAL equipment or any part thereof.

The term "Original Purchaser" as used in this warranty shall be deemed to mean that person, firm, association, or corporation who was billed by the GOLD MEDAL PRODUCTS COMPANY, or their authorized distributor for the equipment.

THIS WARRANTY HAS NO EFFECT AND IS VOID UNLESS THE ORIGINAL PURCHASER FIRST CALLS GOLD MEDAL PRODUCTS COMPANY AT 1-800-543-0862 TO DISCUSS WITH OUR SERVICE REPRESENTATIVE THE EQUIPMENT PROBLEM, AND, IF NECESSARY, FOR INSTRUCTIONS CONCERNING THE REPAIR OR REPLACEMENT OF PARTS.

*NOTE: This equipment is manufactured and sold for commercial use only.*



**GOLD MEDAL PRODUCTS COMPANY**

**10700 Medallion Drive**

**Cincinnati, Ohio 45241-4807 USA**

**[www.gmpopcorn.com](http://www.gmpopcorn.com)**

**Phone: 1-800-543-0862**

**Fax: 1-800-542-1496**